

LLOYD'S

LCR355 Instruction Book



THIS INSTRUCTION BOOK MAY CONTAIN ERRORS AND OMISSIONS.

DESIGN AND SPECIFICATION ARE SUBJECT TO CHANGE WITHOUT NOTICE.

OPERATING INSTRUCTIONS



CAUTION: TO PREVENT ELECTRIC SHOCK DO NOT USE THIS (POLARIZED) PLUG WITH AN EXTENSION CORD, RECEPTACLE, OR OTHER OUTLET UNLESS THE BLADES CAN BE FULLY INSERTED TO PREVENT BLADE EXPOSURE.

Please read this before operating your unit.

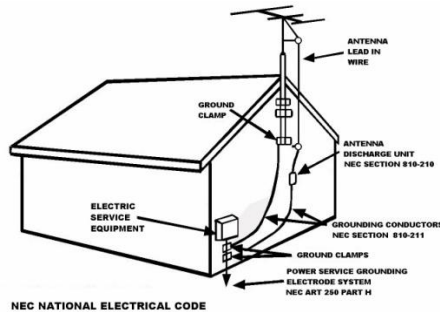
IMPORTANT SAFETY INSTRUCTIONS

1. **READ INSTRUCTIONS-** All the safety and operating instructions should be read before the product is operated.
2. **RETAIN INSTRUCTIONS-** The safety and operating instructions should be retained for future reference.
3. **HEED WARNINGS-** All warnings on the product and in the operating instructions should be adhered to.
4. **FOLLOW INSTRUCTIONS-** All operating and use instructions should be followed.
5. **CLEANING-** Unplug this product from the wall outlet before cleaning; Do not use liquid cleaners or aerosol cleaners. Use a damp Cloth for cleaning.
6. **ATTACHMENTS-** Do not use attachments not recommend by the product manufacturer as they may cause hazards.
7. **WATER AND MOISTURE-** Do not use this product near water-for example, near a bath tub, wash bowl, sink, or laundry tub; in a wet basement, or near a swimming pool, and the like.
8. **ACCESSORIES-** Do not place this product on an unstable cart, stand tripod, bracket, or table. The product may fall, causing serious injury to a child or adult and serious damage to the product. Use only with a cart, stand, tripod, bracket, or table recommended by the manufacturer, or sold with the product. Any mounting of the product should follow the manufacturer's instructions, and should use a mounting accessory recommended by the manufacturer.
9. A product and cart combination should be moved with care. Quick stops, excessive surfaces may cause the appliance and cart combination to overturn.  force and uneven
10. **VENTILATION-** Slots and openings in the cabinet are provided for ventilation and  to ensure reliable operation of the product and to protect it from overheating, and these openings must not be blocked or covered. The opening should never be blocked by placing the product on a bed, sofa, rug, or other similar surfaces. This product should not be placed in a built-in installation such as a book case or rack unless proper ventilation is provided or the manufacturer's instructions have been adhered to.
11. **POWER SOURCE-** This product should be operated from the type of power source indicated on the marking label. If you are not sure of the type of power supply to your home, consult your product dealer or local power company. For product intended to operate from batter power, or other sources, refer to operating instruction.
12. **GROUND and POLARIZATION-** This product may be equipped with a polarized alternating current line plug (a plug having one blade wider than the other) This plug will fit into the power outlet only one way. This is a safety feature. If you

are unable to insert the plug fully into the outlet, try reversing the plug. If the plug should still fail to fit, contact your electrician to replace your obsolete outlet. Do not defeat the safety purpose of the polarized plug.

ALTERNATIVE WARNINGS- This product is equipped with a three-wire ground-type plug, a plug having a third (grounding) pin. This plug will only fit into a grounding-type power outlet. This is a safety feature. If you are unable to insert the plug into the outlet, contact your electrician to replace your obsolete outlet. Do not defeat the safety purpose of the grounding-type plug.

13. **POWER-CORD PROTECTION-** Power supply cords should be routed so that they are not likely to be walked on or pinched by items placed upon or against them, paying particular attention to cords at plugs, convenience receptacles, and point where they exist from the product.
14. **PROTECTIVE ATTACHEMENTS PLUG-** The product is equipped with an attachment plug having overload protection. This is a safety feature. See instruction Manual for replacement or resetting of protective device. If replacement of the plug is required, be sure the service technician has used a replacement plug specified by the manufacturer that has the same overload protection as the original plug.
15. **OUTDOOR ANTENNE PLUG-** If an outside antenna is connected to the receiver, be sure the antenna system is grounded so as to provide some protection against voltage surges and built-up static charges. Article 810 of the National Electrical Code, ANSI/NFPA 70, provides information with regards to proper grounding of the mast and supporting structure, grounding of the lead-in wire to an antenna-discharge unit, size of grounding conductors, location of antenna-discharge unit, connection to grounding electrodes and requirements for the grounding electrodes.

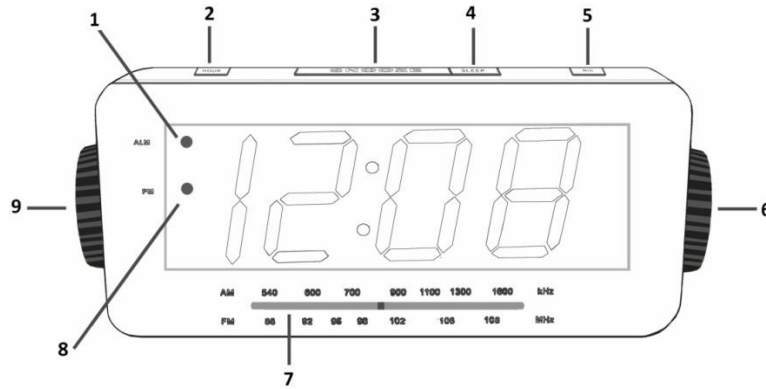


16. **LIGHTING-** For added protection this product during a lighting storm, or when it is left unattended and unused for long periods of time, unplug it from the wall outlet and disconnect the antenna or cable system. This will prevent damage to the product due to lighting and power-line surges.
17. **POWER LINES-** An outside antenna system should not be located in the vicinity of overhead power lines or other electric light or power circuits, or where it can fall into such power lines or circuits. When installing an outside antenna system, extreme care should be taken to keep from touching such power lines or circuits as contact with them might be fatal.
18. **OVERLOADING-** Do not overload wall outlets, extension cords or Integral convenience receptacles as this can result in a risk of fire or electrical shock.
19. **OBJECT AND LIQUID ENTRY-** Never push objects of any kind into this product through openings as they may touch dangerous voltage points or short-out parts that could result in a fire or electrical shock. Never spill liquid of any kind on the product.
20. **SERVICING-** Do not Attempt to service this product yourself as opening or removing covers may expose you to dangerous voltage or other hazards. Refer all serving to qualified service personal.
21. **DAMAGE REQUIRING SERVICE-** Unplug this product from the wall outlet and refer servicing to qualified service personnel under the following conditions:
 - a) When the power-supply cord or plug is damaged
 - b) If liquid has been spilled, or objects have fallen into the product.
 - c) If the product has been exposed to rain or water.
 - d) If the product does not operate normally by following the operating instructions, adjust only those controls that are covered by the operating instructions as an improper adjustment of other controls may result in damage and will often require extensive work by a qualified technician to restore the product to its normal operation.

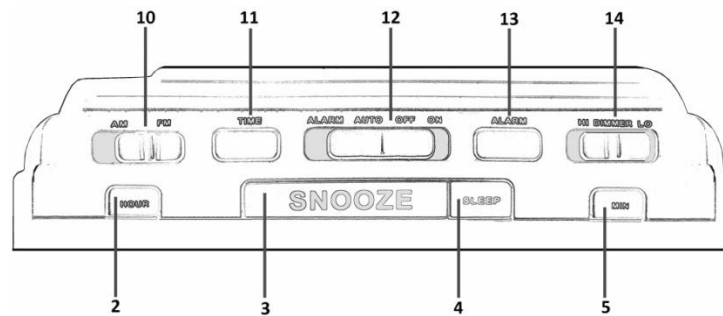
- e) If the product has been dropped or damaged in any way, and.
 - f) When the product exhibits a distinct change in performance- this indicates a need for service.
22. **REPLACEMENT PARTS**- When replacement parts are required, be sure the service technician has used replacement parts specified by the manufacturer or have the same characteristics as the original part. Unauthorized substitutions may result in fire, electric shock, or other hazards.
 23. **SAFETY CHECK**- Upon completion of any service or repairs to this product, ask the service technician to perform safety checks to determine that the product is in proper operating condition.
 24. **WALL OR CEILING MOUNTING**- The product should be mounted to a wall or ceiling only as recommended by the manufacturer.
 25. **HEAT**- The product should be situated away from heat sources such as radiators, heat registers, stoves, or other products (including amplifiers) that produce heat.

WARNING: Changes or modifications to this unit not expressly approved by the party responsible for compliance could void the user's authority to operate the equipment.

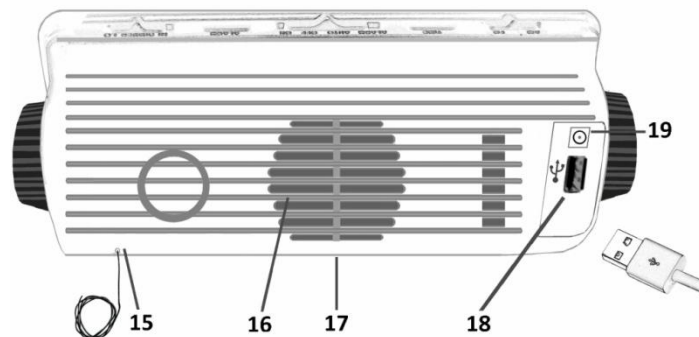
Front View



Top View



Rear View



1. Alarm Indicator
2. Hour Button
3. Snooze Bar
4. Sleep Button
5. Minute Button
6. Tuning Dial
7. Station Dial Guide
8. PM Indicator
9. Volume Control

10. AM/FM Selector
11. Time Set Button
12. Alarm Set Auto/Off/On
13. Alarm Set Button
14. Hi/Lo Dimmer

15. FM Antenna
16. Speaker
17. Battery Back-up
Compartment
18. USB Charging Port
19. AC Adapter Plug in

CONNECTING POWER

Plug the unit to the AC 120V 60Hz socket outlet.

BATTERY BACKUP

Insert one 9 Volt battery (not included) into the battery compartment. It is recommended that it is disconnected if unused for a long period of time. The Battery backup will maintain the correct time when the power is disconnected. It will not maintain the time if it is disconnected for an extended period of time.

SETTING THE CLOCK

TO SET THE CLOCK FOR THE FIRST TIME

1. Plug the unit to the socket outlet and the clock display will flash with the hour digits.
2. Press the Time Button and hold it. At the same time press the Minutes and Hour buttons to adjust to the correct time.

RADIO OPERATION

1. Slide the ON/OFF/AUTO/ALARM to "ON" position
2. Slide Band Switch to FM or AM Position
3. Turn the Volume Control to desired volume
4. Turn the Tuning Dial to select your favourite Station
5. Be sure to untwist the Antenna and Power cord for peak reception.

WAKE TO RADIO

1. Having selected your station and set the volume at the desired level, proceed as follows:
2. Slide the ALARM/AUTO/OFF/ON switch to AUTO position
3. Press the Alarm Set Button. While the button is pressed press the Hour Button and Then the Minute button to the desired alarm time. The wake time is now set to wake you up at the selected time.
4. To check the alarm time simply press the Alarm Set Button and the Alarm Time will be displayed.
5. To disable the Alarm Slide the Alarm/Set Button to off.

WAKE TO BUZZER

1. Slide the ALARM/AUTO/OFF/ON switch to ALARM position
2. Press the Alarm Set Button. While the button is pressed press the Hour Button and Then the Minute button to the desired alarm time. The wake time is now set to wake you up at the selected time.
3. To check the alarm time simply press the Alarm Set Button and the Alarm Time will be displayed.
4. To disable the Alarm Slide the Alarm/Set Button to off.

SLEEP TO MUSIC

The radio can be set to play and to switch off automatically for a length of time from 1 minute to 1 hour 59 minutes.

1. Select the ALARM/AUTO/OFF/ON in the AUTO position
2. Press the SLEEP button and hold it down.
3. Press the desired minute and hour time you want the radio to be on for.
4. After the selected time the radio will go off automatically.

SNOOZE CONTROL

The snooze button allows the user an extra sleep time of about 9 minutes.

USB CHARGING

Use the USB Charging port to charge your Smart Phone (Compatible with most Smart Phones, not included).

Use a USB cable (not included) to connect your Smart Phone to the USB Connector of the Unit. Your Smart Phone should start Charging.

**** Before Charging your Smart Phone , please ensure the Clock Radio is connected to the supplied adapter and that it is plugged into the power supply.****

GENERAL CARE

The cabinet can be cleaned with a slightly damp cloth (make sure the mains lead is disconnected from the mains supply)

Avoid leaving the clock radio in direct sunlight or in a hot, humid dusty place. Keep the set away from heating appliances and appliances that generate noise.